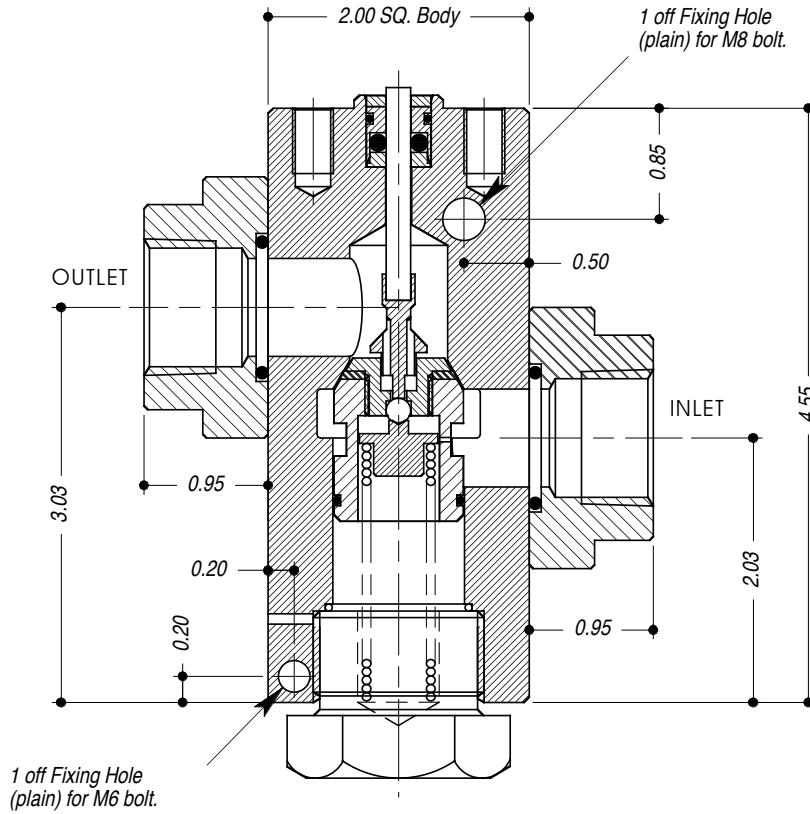


PILOT OPERATED CHECK VALVE TYPES: MS75, MS75/50



Valves Ltd

- 2 POSN / 2 PORTED STAINLESS STEEL (316 / 1.4404) VALVE WITH ACTUATOR OPTIONS.
- SUITABLE FOR LIQUID USE.
- ACTUATION TYPE - SEE SECTION 12 FOR DETAILS.
- ALL DIMENSIONS IN INCHES.



TECHNICAL SPECIFICATION			ORDERING EXAMPLE
Valve Type:	MS75/50	MS75	MS75
Porting / Connection Options:	P = BSP (Parallel) N = NPT (Taper)		N
Actuator Options	Low Press. Pilot:	Types: H3 (125 psi Max)	H0
	High Press. Pilot:	Types: H0 (10,000 psi Max), H1 (10,000 psi Max)	
	Mechanical:	Types: L, DL	
Max. Working Press: Liquid	12,000 psi		12K
Pilot Ratio:	Act.Type: A0	200 : 1	200 : 1
	Act.Type: H0	33 : 1	33 : 1
	Act.Type: H1	9.6 : 1	9.6 : 1
Port Size:	1/2"	3/4"	
Valve Seat Mat'l: Liquid	Stainless Steel - 316/Peek		
Seal Material:	Viton (other materials available by request)		
CV Value:	3.7	3.7	
Dry Weight: (kg)	4.0		
Working Temperature Range:	-10°C to +80°C		